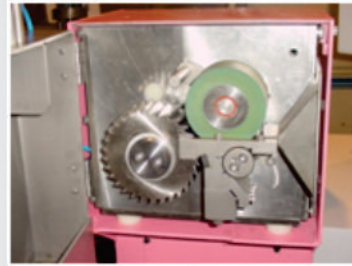
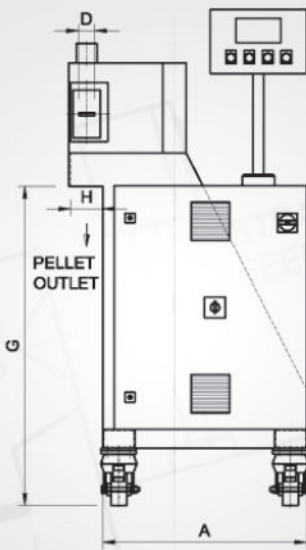


# STRAND PELLETIZERS

Your system supplier for plastic pellets



## Technical Specification



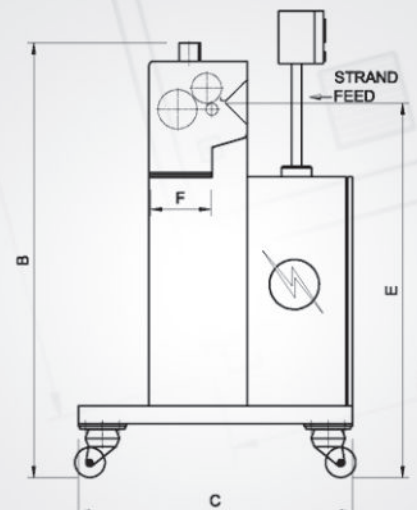
Technical Data		PL 30	PL 50
Feed width (mm)		30	50
drive type VFD		AC Motor with belt drive	AC Motor with belt drive
installed rating (kW)		0.75	2.2
strand speed Ve (m/mim.) min./max.		20-90	20-90
max. number of strands at 3mm strand-Ø		2 - 4	4 - 6
Pellet length (mm)		3	3
dimensions (mm)	A	635	635
	B	1443	1443
	C	910	910
	D	50	50
	E	1245	1245
	F	200	200
	G	998	998
	H	100	100

Production capacity in kg/hr  
 (approximate value of strandspeed=85 m/min for PL & strandspeed=60 m/min for PL=50)

Product	PL 30	PL 50
PET	185	210
HIPS, PMMA, GPPS, ABS, SAN	145	165
PA 6.6	160	180
PA 6 n.e.	160	180
PC	170	190
PP,PE	130	145
PET + 30% GF	220	250
PA + 30% GF	195	215
number of strands	4	6

LMFL Strand Pelletizer - the most economical Strand Pelletizer

- Thrupt in kg/hr (Pellet dia and length 3mm each)
- Max. thrupt can vary depending on your product & pellet size.



All specs. Shown are subject to change.