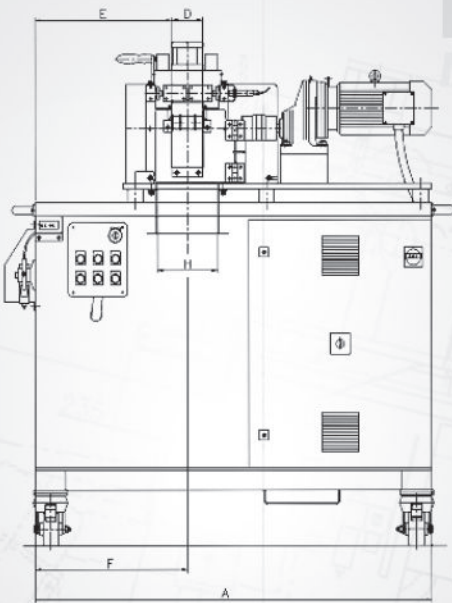


STRAND PELLETIZERS

Your system supplier for plastic pellets



Technical Specification



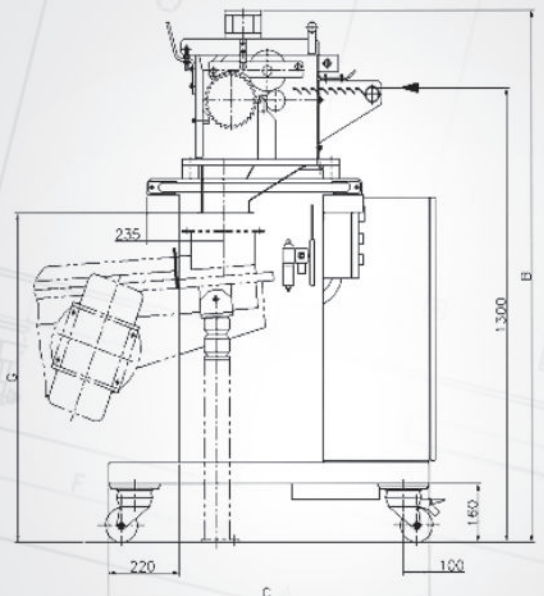
Technical Data		PL 100 S	PL 200 S	PL 300 S
Feed width (mm)		100	200	300
drive type	VFD	Gear Motor	Gear Motor	Gear Motor
installed rating (kW)		5.5	11	15
strand speed V_e (m/min.) min./max.		30-90	30-90	30-90
max. number of strands at 3mm strand-Ø		20	40	60
Pellet length (mm)		3	3	3
dimensions (mm)	A	1300	1300	1300
	B	approx, 1600	approx, 1600	approx, 1600
	C	1000	1000	1000
	D	100	200	300
	E	450	400	350
	F	500	500	500
	G	950	950	950
	H	200	300	400

Production capacity in kg/hr
(approximate value of strandspeed=90 m/min)

Product	PL 100 S	PL 200 S	PL 300 S
PET	1020	2050	3160
HIPS, PMMA, GPPS, ABS, SAN	810	1655	2500
PA 6.6	890	1815	2750
PA 6 n.e.	880	1795	2720
PC	935	1910	2890
PPPE	485	1450	2195
PET + 30% GF	1210	2465	3735
PA + 30% GF	1070	2180	3300
number of strands	20	40	60

LMFL Strand Pelletizer - the most economical Strand Pelletizer

- Thrupt in kg/hr (Pellet dia and length 3mm each)
- Max. thrupt can vary depending on your product & pellet size.



All specs. Shown are subject to change.